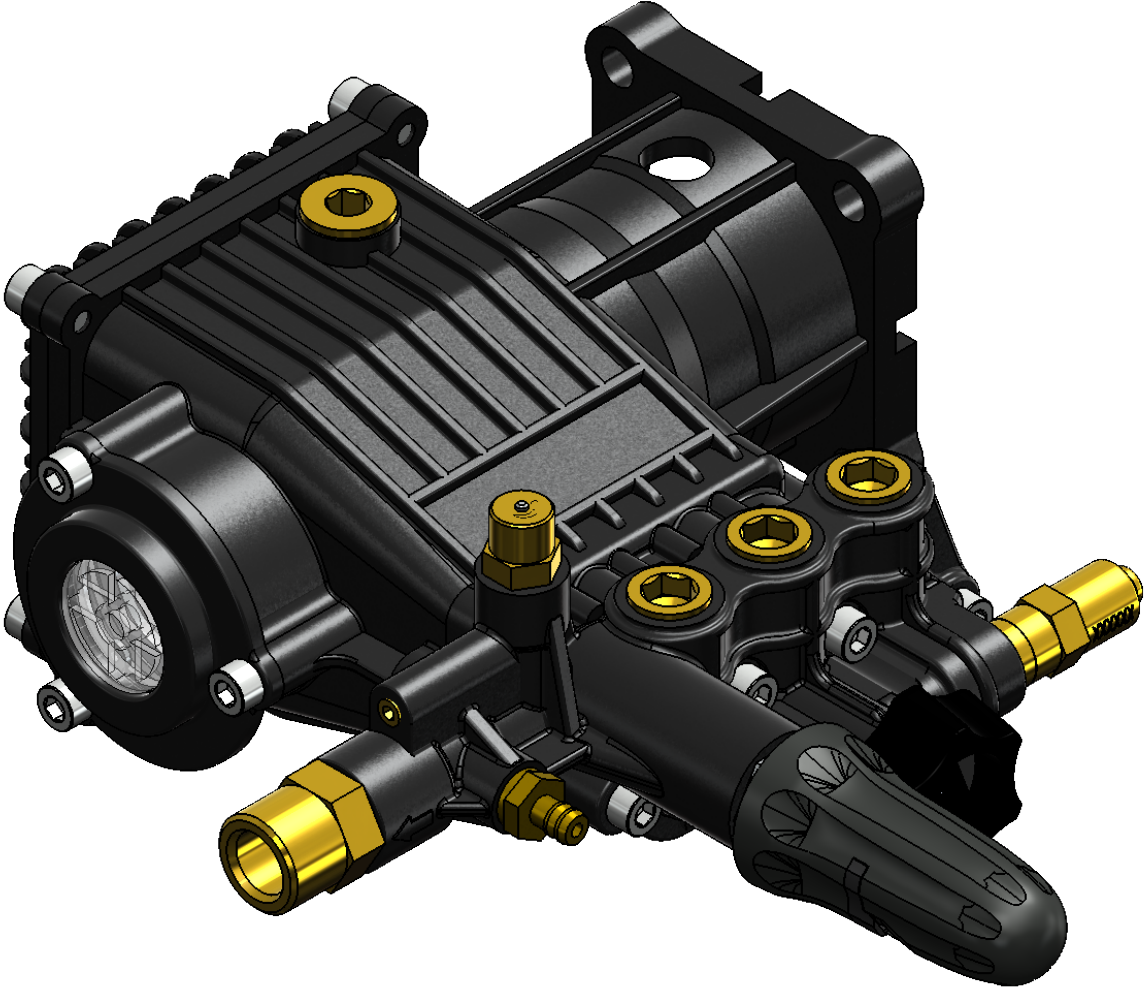


# AAA CY SERIES TRIPLEX PUMPS



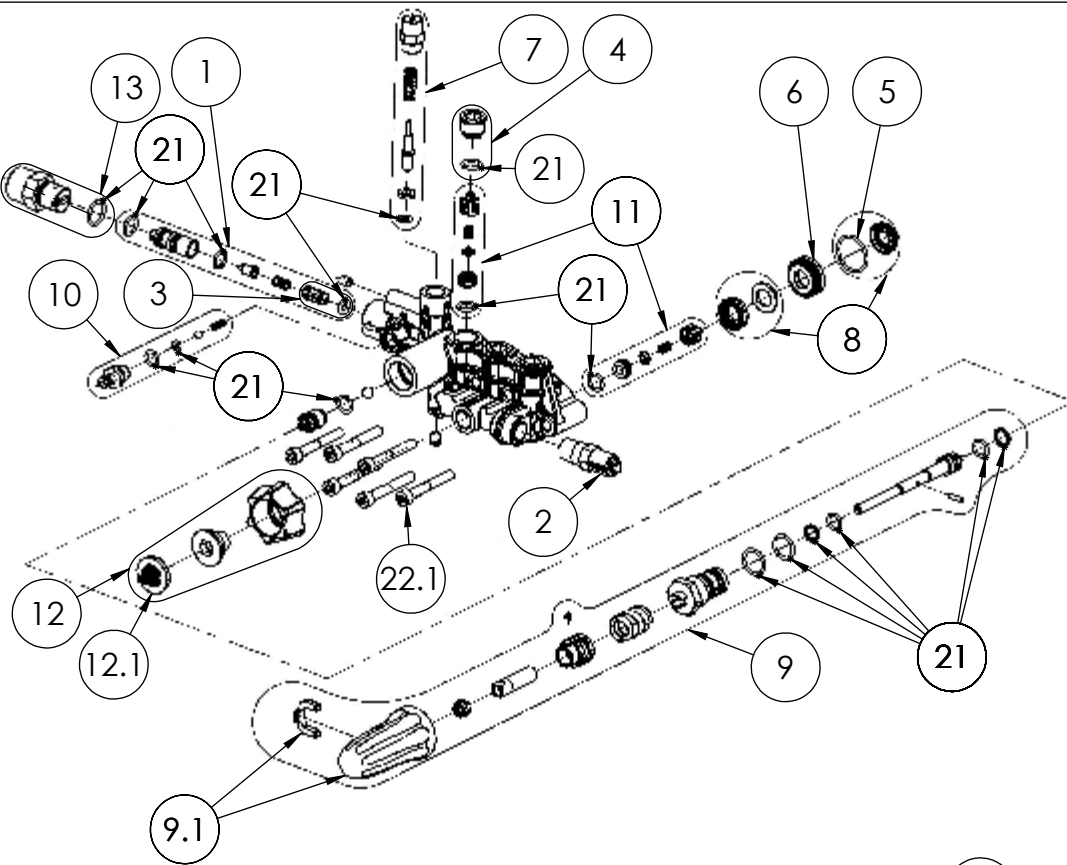
**PUMPS COVERED IN THIS IPL**

530015	3200psi @ 2.8 gpm
530017	3300psi @ 2.5 gpm

<table border="1"> <thead> <tr> <th>NAME</th> <th>DATE</th> </tr> </thead> <tbody> <tr> <td>DRAWN JHS</td> <td>AUG 2017</td> </tr> <tr> <td>CHECKED DH/OSW</td> <td>AUG 2017</td> </tr> <tr> <td>ENG APPR. OSW</td> <td>AUG 2017</td> </tr> <tr> <td>MFG APPR. -</td> <td>-</td> </tr> <tr> <td>Q.A. APPR. -</td> <td>-</td> </tr> <tr> <td>SERVICE APPR. DH</td> <td>AUG 2017</td> </tr> </tbody> </table>			NAME	DATE	DRAWN JHS	AUG 2017	CHECKED DH/OSW	AUG 2017	ENG APPR. OSW	AUG 2017	MFG APPR. -	-	Q.A. APPR. -	-	SERVICE APPR. DH	AUG 2017	<p><b>FNA-GROUP</b> 1265 INDUSTRIAL STREET, DECATUR, AR 72722</p>	
NAME	DATE																	
DRAWN JHS	AUG 2017																	
CHECKED DH/OSW	AUG 2017																	
ENG APPR. OSW	AUG 2017																	
MFG APPR. -	-																	
Q.A. APPR. -	-																	
SERVICE APPR. DH	AUG 2017																	
<p>THE INFORMATION CONTAINED IN THIS DRAWING IS THE SOLE PROPERTY OF FNA-GROUP. ANY REPRODUCTION IN PART OR AS A WHOLE WITHOUT THE WRITTEN PERMISSION OF FNA-GROUP IS PROHIBITED.</p>			<p>TITLE: <b>PUMP, CY SERIES, HORIZ TRIPLEX, 12x8.2</b></p>															
SIZE <b>A</b>	DWG. NO. <b>530015, 530017</b>	REV. <b>A</b>																
SCALE: N/A	ECN# DC17-0255	SHEET 1 OF 3																

PUMP KIT, 530015  
MANIFOLD PART NO. 7110118

530015 PUMP DRAWING PARTS LIST				
ITEM	PART NO.	DESCRIPTION	QTY	COMMENT
1	7110132	VENTURI KIT	1	
2	7101359	THERMAL RELIEF VALVE	1	TORQUE TO 155 IN-LB 18N-M
3	7110130	CHECK VALVE KIT	1	
4	7110129	VALVE CAP KIT	3	2 KITS REQ'D FOR THIS MODEL TORQUE TO 155 IN-LB 18N-M
5	7110125	SEAL RETAINER KIT	3	
6	7110123	SEAL SPACER KIT	3	
7	7110117	KIT, BOOST VALVE	1	TORQUE TO 155 IN-LB 18N-M
8	7105742	WATER SEAL KIT 9	3	
9.1	7109325	UNLOADER KIT	1	
10	7104228	SOAP INJECTOR KIT	1	TORQUE TO 155 IN-LB 18N-M
11	7104223	VALVE KIT	6	
12	7110329	WATER INLET KIT	1	TORQUE TO 155 IN-LB 18N-M
12.1	7000123	WATER INLET SCREEN	1	
13	7110265	SOAP INJECTOR BODY	1	TORQUE TO 155 IN-LB 18N-M

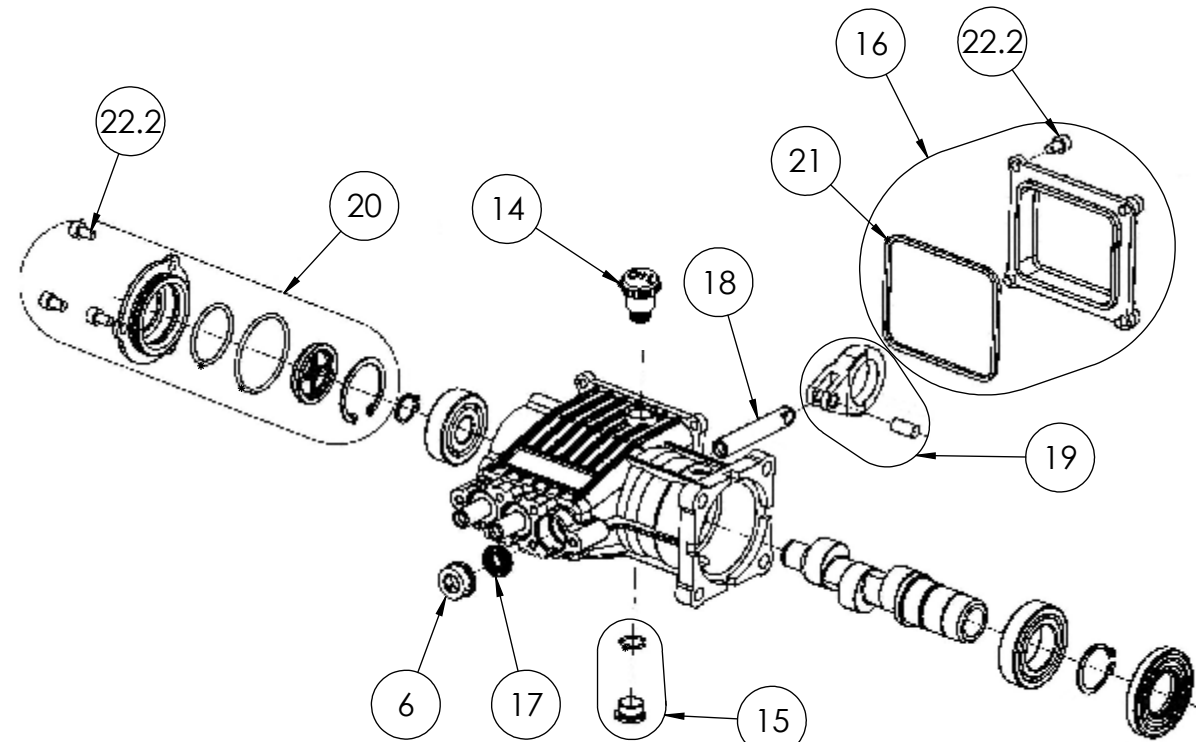


PUMP KIT, 530015 CRANKCASE  
PART NO. 7110119

530015 PUMP DRAWING PARTS LIST				
ITEM	PART NO.	DESCRIPTION	QTY	COMMENT
14	7110128	OIL BREATHER KIT	1	
15	7110127	OIL PLUG KIT	1	TORQUE TO 155 IN-LB 18N-M
16	7110126	REAR CRANK COVER KIT	1	
17	7110124	OIL SEAL KIT	1	
18	7110115	PISTON KIT	1	
19	7110114	CONNECTING ROD KIT	1	
20	7110113	SIGHT GLASS KIT	1	

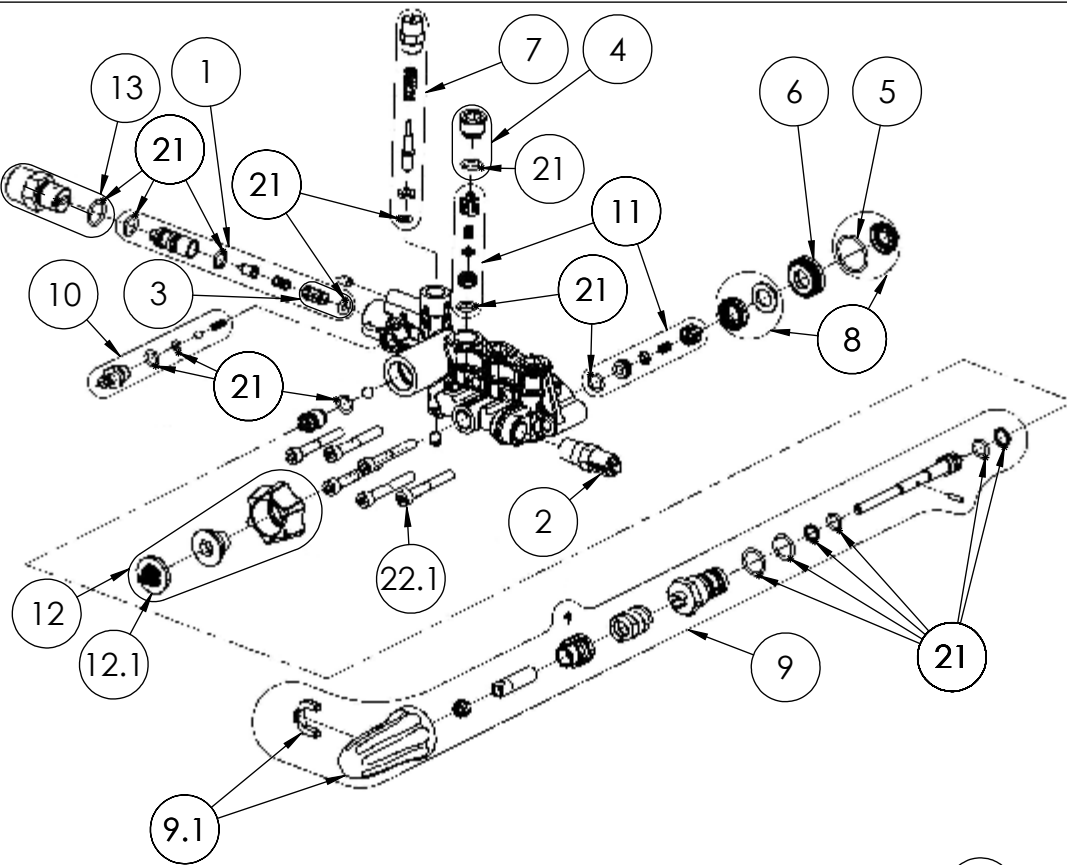
MISC PARTS, 530015

ITEM	PART NO.	DESCRIPTION	QTY	COMMENT
21	7110121	ORING KIT, COMPLETE		
22	7110122	PUMP HARDWARE KIT		
22.1		SCREW, M6*45	6	TORQUE TO 100 IN-LB 11N-M
22.2		SCREW, M6*10	7	TORQUE TO 80 IN-LB 9N-M



## PUMP KIT, 530017 MANIFOLD PART NO. 7110118

530015 PUMP DRAWING PARTS LIST				
ITEM	PART NO.	DESCRIPTION	QTY	COMMENT
1	7110132	VENTURI KIT	1	
2	7101359	THERMAL RELIEF VALVE	1	TORQUE TO 155 IN-LB 18N-M
3	7110130	CHECK VALVE KIT	1	
4	7110129	VALVE CAP KIT	3	2 KITS REQ'D FOR THIS MODEL TORQUE TO 155 IN-LB 18N-M
5	7110125	SEAL RETAINER KIT	3	
6	7110123	SEAL SPACER KIT	3	
7	7110117	KIT, BOOST VALVE	1	TORQUE TO 155 IN-LB 18N-M
8	7110116	WATER SEAL KIT	3	
9	7110112	UNLOADER KIT	1	
9.1	7109325	UNLOADER CAP KIT	1	
10	7104228	SOAP INJECTOR KIT	1	TORQUE TO 155 IN-LB 18N-M
11	7104223	VALVE KIT	6	
12	7110329	WATER INLET KIT	1	TORQUE TO 155 IN-LB 18N-M
12.1	7000123	WATER INLET SCREEN	1	
13	7110265	SOAP INJECTOR BODY	1	TORQUE TO 155 IN-LB 18N-M



## PUMP KIT, 530017 CRANKCASE PART NO. 7110120

530015 PUMP DRAWING PARTS LIST				
ITEM	PART NO.	DESCRIPTION	QTY	COMMENT
14	7110128	OIL BREATHER KIT	1	
15	7110127	OIL PLUG KIT	1	TORQUE TO 155 IN-LB 18N-M
16	7110126	REAR CRANK COVER KIT	1	
17	7110124	OIL SEAL KIT	1	
18	7110115	PISTON KIT	1	
19	7110114	CONNECTING ROD KIT	1	
20	7110113	SIGHT GLASS KIT	1	

## MISC PARTS, 530017

ITEM	PART NO.	DESCRIPTION	QTY	COMMENT
21	7110121	ORING KIT, COMPLETE		
22	7110122	PUMP HARDWARE KIT		
22.1		SCREW, M6*45	6	TORQUE TO 100 IN-LB 11N-M
22.2		SCREW, M6*10	7	TORQUE TO 80 IN-LB 9N-M

